

HUMIDITY & TEMPERATURE TRANSMITTER

Features

- ◆ Fast, Stable and accurate
- ◆ IP 65 - Watertight enclosure
- ◆ Excellent long term stability
- ◆ Onsite two point calibration

Typical Areas of Application

- ◆ Climatic Rooms/Chambers
- ◆ HVAC Installations
- ◆ Green Houses
- ◆ Paper Industries
- ◆ Incubators, Ovens
- ◆ Textile Industries
- ◆ Storage Area
- ◆ Food Processing Industries
- ◆ Fruit/Vegetable Storage



EQ-TRH304W

TRH-30x Series uses a thin film polymer capacitor to sense Relative Humidity & a thin film RTD to accurately sense Temperature. The Output signal given is 4 - 20 mA analog output requiring a current loop supply of 12 - 30 VDC. The electronics is housed in a watertight IP-65 enclosure.

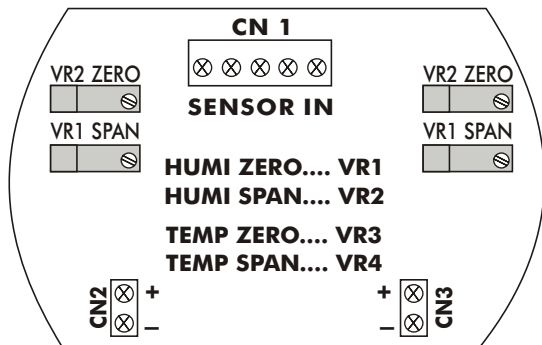
SPECIFICATIONS

| | |
|----------------------------|---|
| Measuring Range | 5 to 95% RH 0 to 70°C |
| Accuracy @ 25°C | ± 2% RH , ± 0.3° C |
| Sensors | Humidity : Thin-film Capacitor Temperature : Pt100 |
| Electronics Operating temp | 0 to 50°C |
| Response | <15 sec |
| Long-term Stability | Better than 1% RH per year |
| Output | 4-20mA (0~100%RH; 0~100°C) other outputs on request |
| Load Resistance | Maximum 300 Ohms |
| Supply Voltage | 12 to 30 VDC |
| Housing | ABS plastic watertight enclosure |
| Protection | IP-65 |
| Weight | Approx 180gms |

Ordering Information

| Model | DESCRIPTIONS | |
|---------------------|------------------------------------|-----------------|
| TRH - 304 | Humidity / Temperature Transmitter | |
| TRH - 305 | Humidity Transmitter | |
| SHAPE (Mounting) | W | Wall Mount Type |
| | D | Duct Mount Type |
| | S | Separated Type |

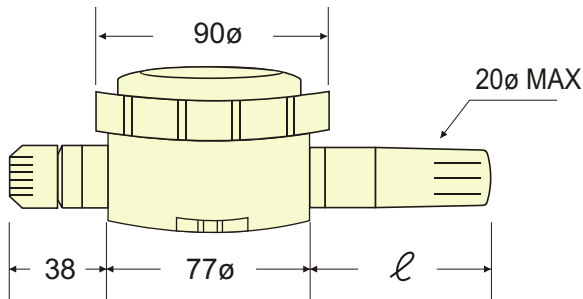
On-Site Calibration & Wiring



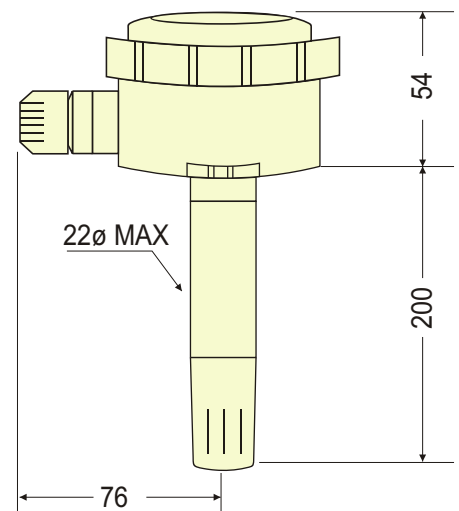
- VR 2 ZERO Humidity
- VR 1 SPAN Humidity
- VR 3 ZERO Temperature
- VR 4 SPAN Temperature
- CN 1 Sensor Input
- CN 2 Output Humidity
- CN 3 Output Temperature

EXTERNAL DIMENSIONS

WALL MOUNT TYPE



DUCT MOUNT TYPE



MOUNTING

Used by 3-4mm or 1/8" screw for mounting

