

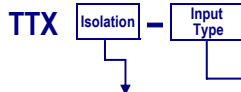
TTX TEMP. SIGNAL TRANSMITTER (HEAD MOUNTING)

FEATURE

- Input Type and range programmable for RTD Pt100Ω, Pt1000Ω, CU10, CU100; Thermo-couple type K, J, E, T, R, S, B
- Output 4~20mA with loop powered
- DIN rail mounting with
- CE Approved & RoHS



ORDERING INFORMATION



CODE	ISOLATION
N	Non-Isolation
I	Isolation

CODE	INPUT TYPE
RT	Rtd Pt100Ω, CU10, CU100 Programmable
TC	T/C Type K,J,E,T, R, S, B Programmable
UT	Rtd Pt100Ω, CU10, CU100 & T/C Type K,J,E,T, R, S, B Programmable

TTX can be programmed in type and ranges by software "TT_Pro" of PC. Please find the software enclosure with product or download from our website www.csec.com.tw.

TECHNICAL DATA

Input (Programmable by "TT_Pro" software of PC)

RTD Input Range	Input Impedance	T/C Input Range	Input Impedance
Pt100Ω(-200~+850°C)	≥ 10M ohm	Type K(-200~+1372°C)	≥ 1M ohm
Pt1000Ω(-200~+250°C)	≥ 10M ohm	Type J(-200~+1200°C)	≥ 1M ohm
CU10(-50~+150°C)	≥ 10M ohm	Type E(-200~+900°C)	≥ 1M ohm
CU100(-50~+150°C)		Type T(-200~+400°C)	≥ 1M ohm
		Type R(0~+1768°C)	≥ 1M ohm
		Type S(0~+1768°C)	≥ 1M ohm
		Type B(320~+1820°C)	≥ 1M ohm

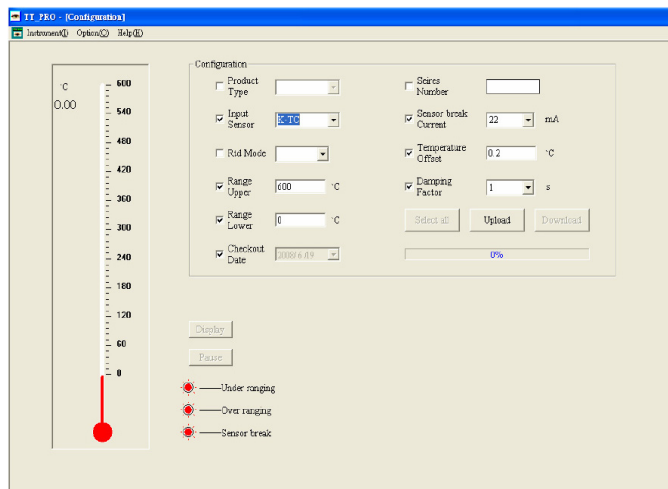
Analogue output

Output Range	Accuracy	Load Resistance
4 ~ 20mA	≤ ±0.2% of F.S.	≤ (Vs-12) / 0.022 (ohm)

- Cold Junction:** -40~85°C, Error ≤ 1.0°C
Response time: ≤ 100msec (10%~90% of FS)
Output ripple: ≤ ±0.1% of F.S.
Sensor Break Protect: Pull up to 22mA or Push down to 3.8mA programmable

Programming Software

We offer the programming software in free charge. Please contact with our sales department if inquiry or download from our website.



Environmental

- Operating temp.:** -20~60 °C
Operating humidity: 20~95% RH, Non-condensing
Temperature drift: 0.1% F.S./10°C
Storage temperature: -20~70 °C
Protection: IP 42

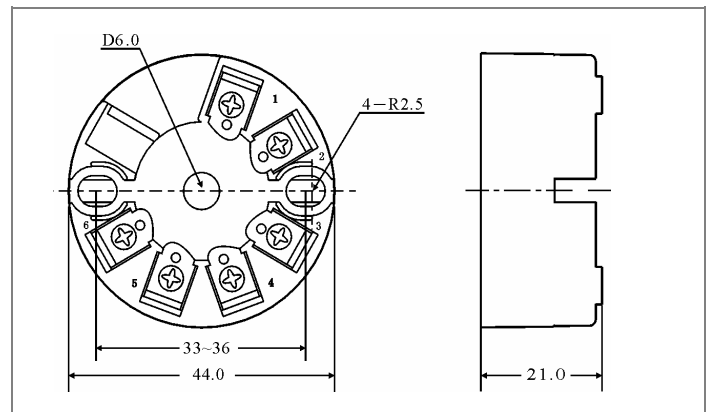
Mechanical

- Dimensions:** 7.6mm(W) x 99mm(H) x 92.4mm(D)
Housing: Self-extinguishing, black ABS, UL94V0
Terminals: Sprint terminal, up to 1.0 mm² wire
Mounting: 35mm DIN rail (EN50022)

Specification

- EMC:** EN 61326-1
Electric Isolation: For Isolation type(Code: TTXI) AC 1.5KV for 1min; Between Input / Output
Insulation resistance: ≥ 100MΩ at 500Vdc

DIMENSIONS



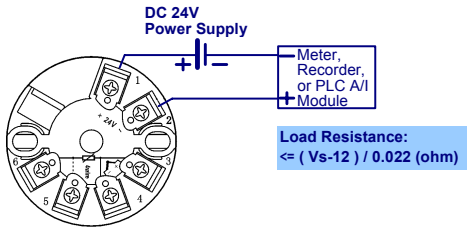
Power

- Power supply:** Loop power: DC 12~35V
Power consumption: Auxiliary power type ≤ 60mA at 24V, 20mA

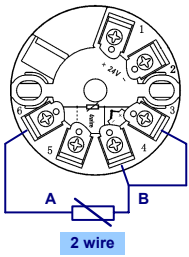
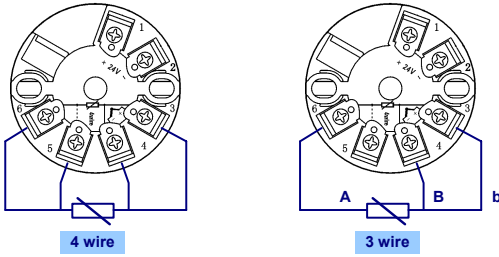
CONNECTION DIAGRAM

Please check the voltage & type of power supplied first, and then connect to the specified terminals. It is recommended that power supplied to the meter be protected by a fuse.

Loop Powered & Output Connection



Pt100 ohm Input Connection



Thermocouple Input Connection

