

CST-321M 3 1/2 DIGITAL SIX CH. TEMP. METER

FEATURE

- Measuring T/C: K, J, T, E, R RTD: Pt100Ω
- Accuracy: T/C: ±0.25% , RTD: ±0.1%
- 3 1/2 Digital display: 1999
- Easy-to-wire, screw type terminal
- Outside dimensions is 1/8 DIN standard (96x48 mm)
- High stability & low cost



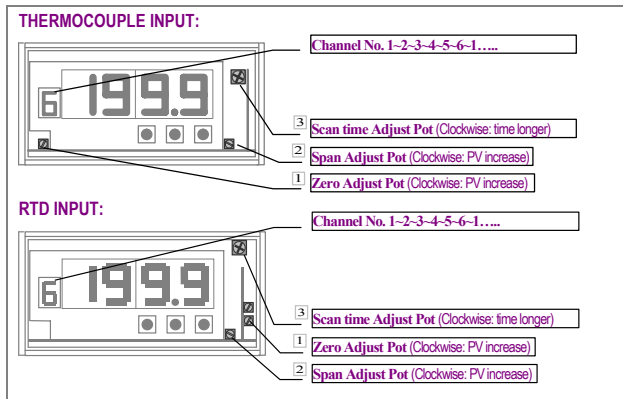
MEASUREMENT

		Measuring Range	Resolution	Input Impedance
Thermo-couple	K	0 ~ 1200 °C	1 °C	≥ 1M ohm
	J	0 ~ 750 °C	1 °C	≥ 1M ohm
	T	0 ~ 400 °C	1 °C	≥ 1M ohm
	E	0 ~ 1000 °C	1 °C	≥ 1M ohm
	R	400 ~ 1600 °C	1 °C	≥ 1M ohm
RTD	Pt100	-199.9 ~ +199.9 °C	0.1 °C	≥ 1M ohm
	Pt100	0 ~ 800 °C	1 °C	≥ 1M ohm

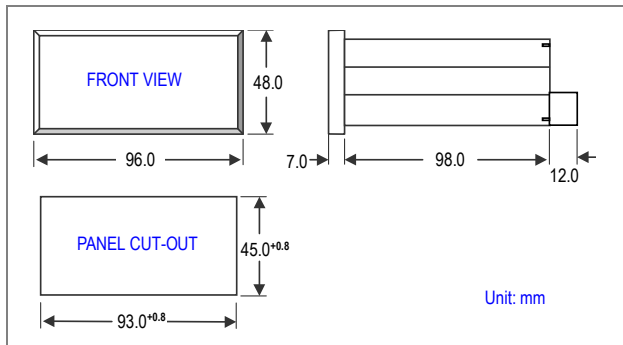
SPECIFICATION

__ Measuring accuracy:	T/C: ±0.25% F.S. ±1 digit
	RTD: ±0.1% F.S. ±1 digit
__ Span adjustment:	≤ 10% of F.S.
__ Zero adjustment:	≤ 2% of F.S.
__ Sampling time:	About 3 cycles/sec.
__ Scan mode:	Auto/Manual settable by front key Auto scan time is adjustable by VR: 5~60 sec.
__ Polarity indication:	When input is negative " - "
__ Over-range indication:	" 1 " display
__ Operating temperature:	0~60 °C
__ Operating relative humidity:	20~95 %RH
__ Temperature coefficient:	≤ 100 PPM/°C ≤ 50 PPM/°C (23 ±5 °C)
__ Cold junction compensation:	25 ±10 °C, error < 0.5 °C
__ Storage temperature:	-10~70 °C
__ Power Supply:	AC 115/230V ±10%, 50/60 Hz
__ Power consumption:	DC 3W, AC 4.5VA
__ Dielectric Strength:	AC 2.0KV for 1 min (Between Power / Input) AC 3.0KV for 1 min (Between Terminal / Case)
__ Weight:	500g

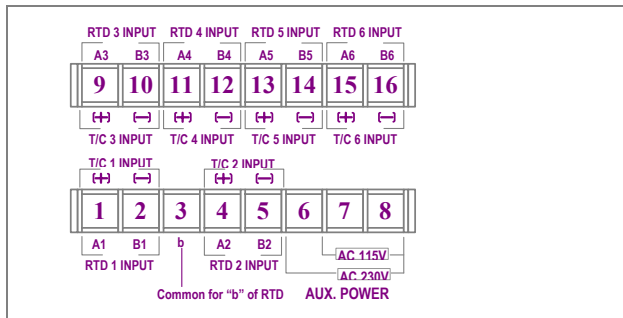
ADJUSTMENT



DIMENSIONS



CONNECTION DIAGRAM



ORDERING INFORMATION

CST-321M Input Type — Input Range — Aux. Power

CODE	INPUT TYPE	CODE	INPUT RANGE	CODE	INPUT RANGE	CODE	AUX. POWER
K	K type	A	0 ~ 100 °C	1	0 ~ 199.9 °C	A	AC 115/230 V
J	J type	B	0 ~ 200 °C	2	-50.0 ~ +50.0 °C	O	Specify
T	T type	C	0 ~ 400 °C	3	-99.9 ~ +199.9 °C		
E	E type	D	0 ~ 600 °C	4	0 ~ 300 °C		
R	R type	E	0 ~ 1000 °C	5	0 ~ 600 °C		
P	Pt100Ω	F	0 ~ 1200 °C	6	0 ~ 800 °C		
O	Other	G	400 ~ 1600 °C	7	-100 ~ 600 °C		
		O	Specify	O	Specify		

CST-321M